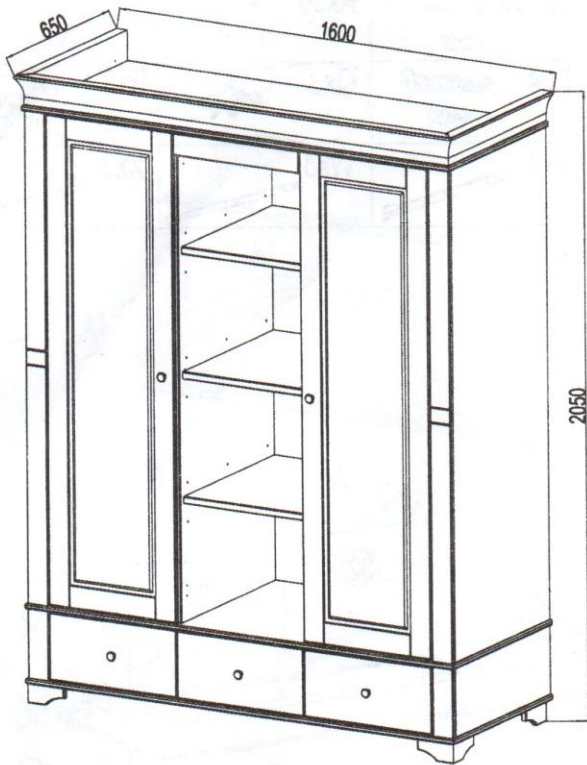
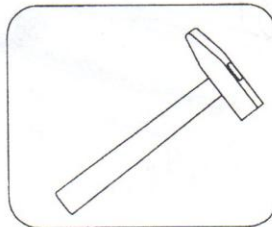
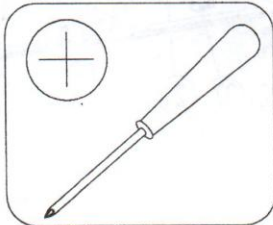
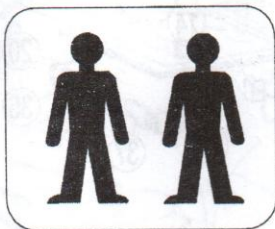







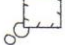






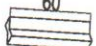

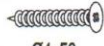








203

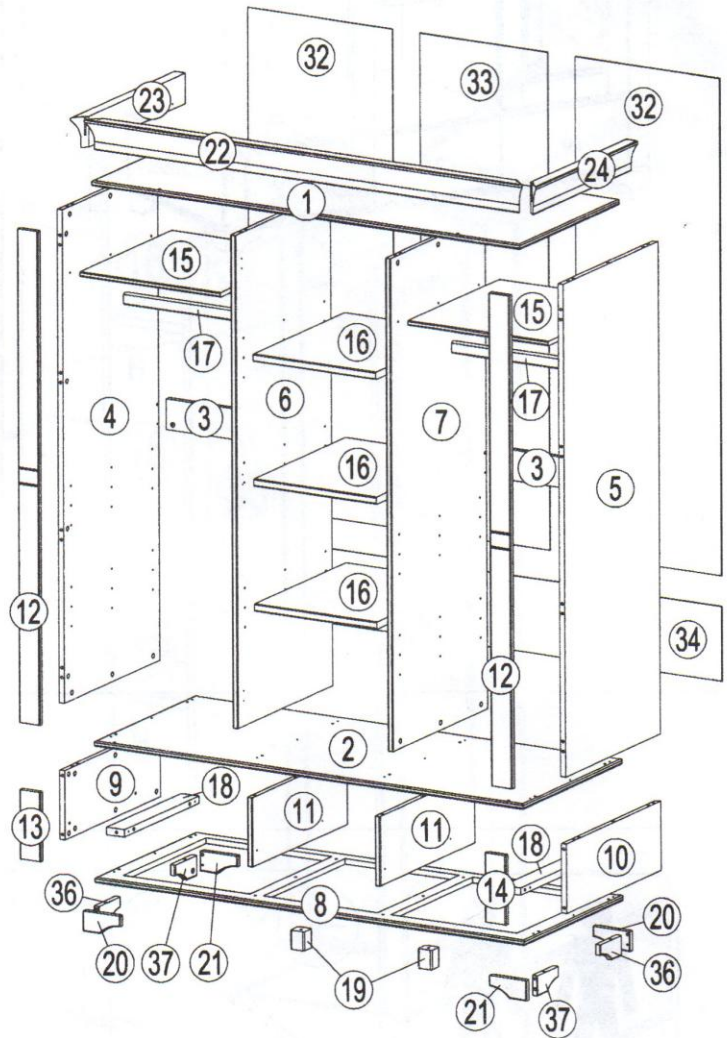
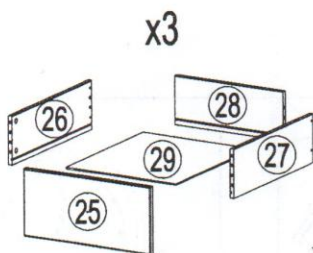
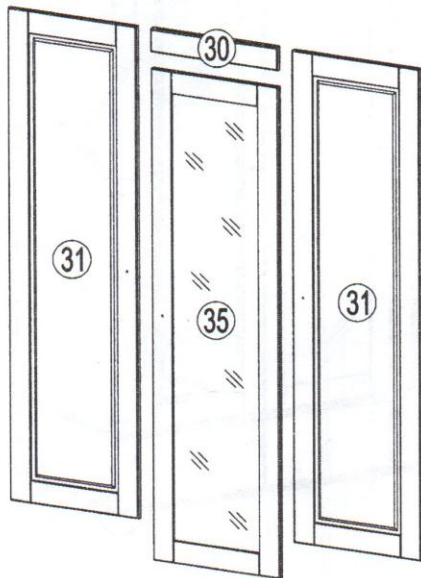


33



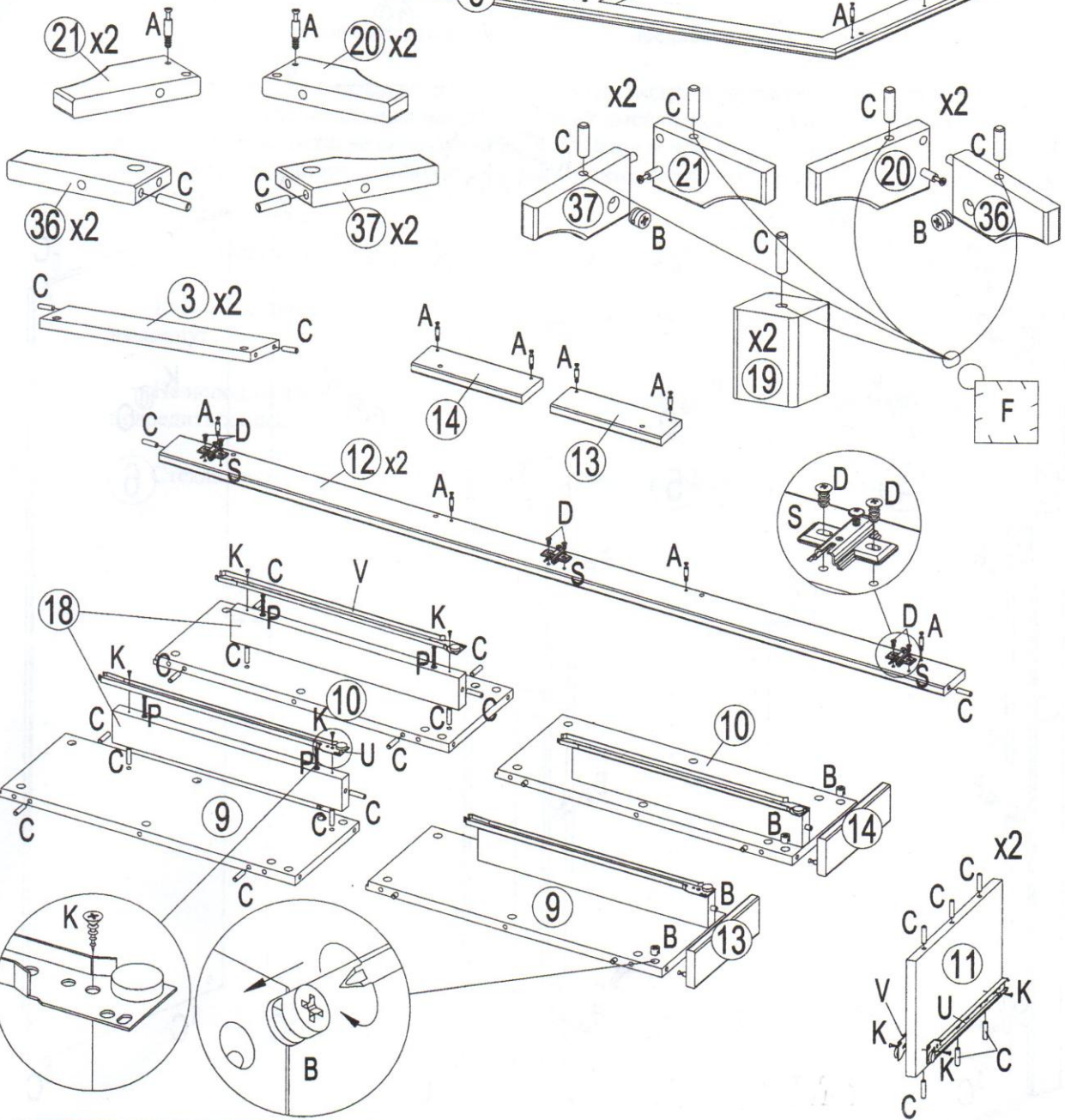
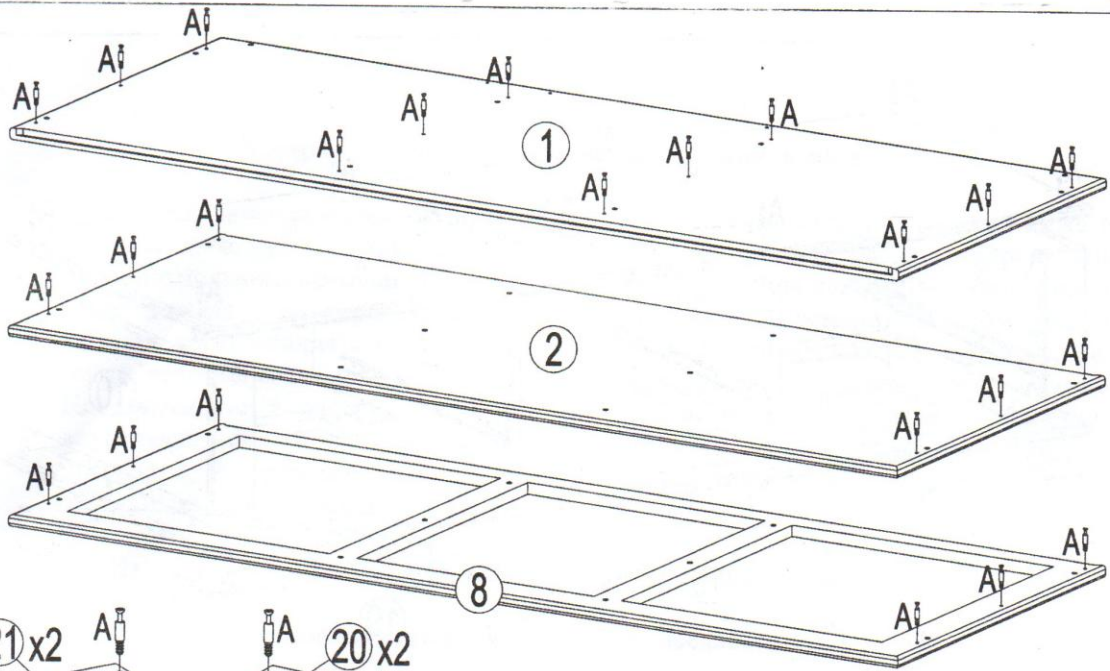
120 min

Ax70 	Bx70 	Cx98 	Dx12 	Ex7 	Fx1 
Gx6 	Hx30 	Ix6  M4x22	Jx150  1,2x20	Kx66  Ø3.5x15	
Mx12  Ø3.5x35	Nx2  60	Ox4 	Px4  Ø4x50	Qx3 	Rx3 
Sx6 	Tx6 	Ux3 	Vx3 	Wx3 	Xx3 

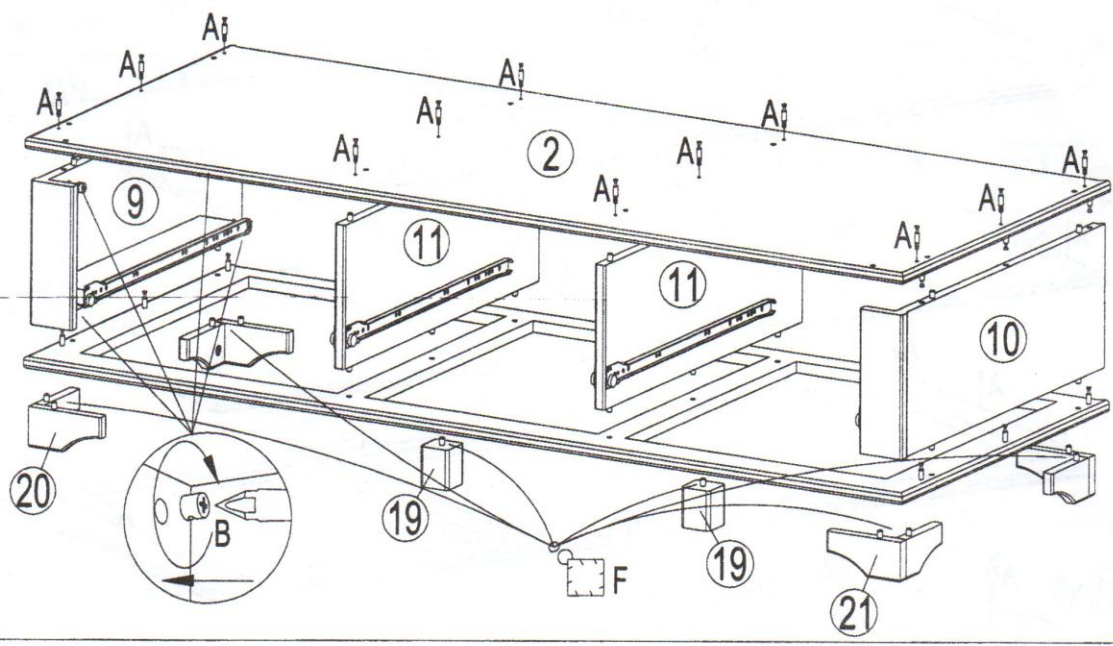




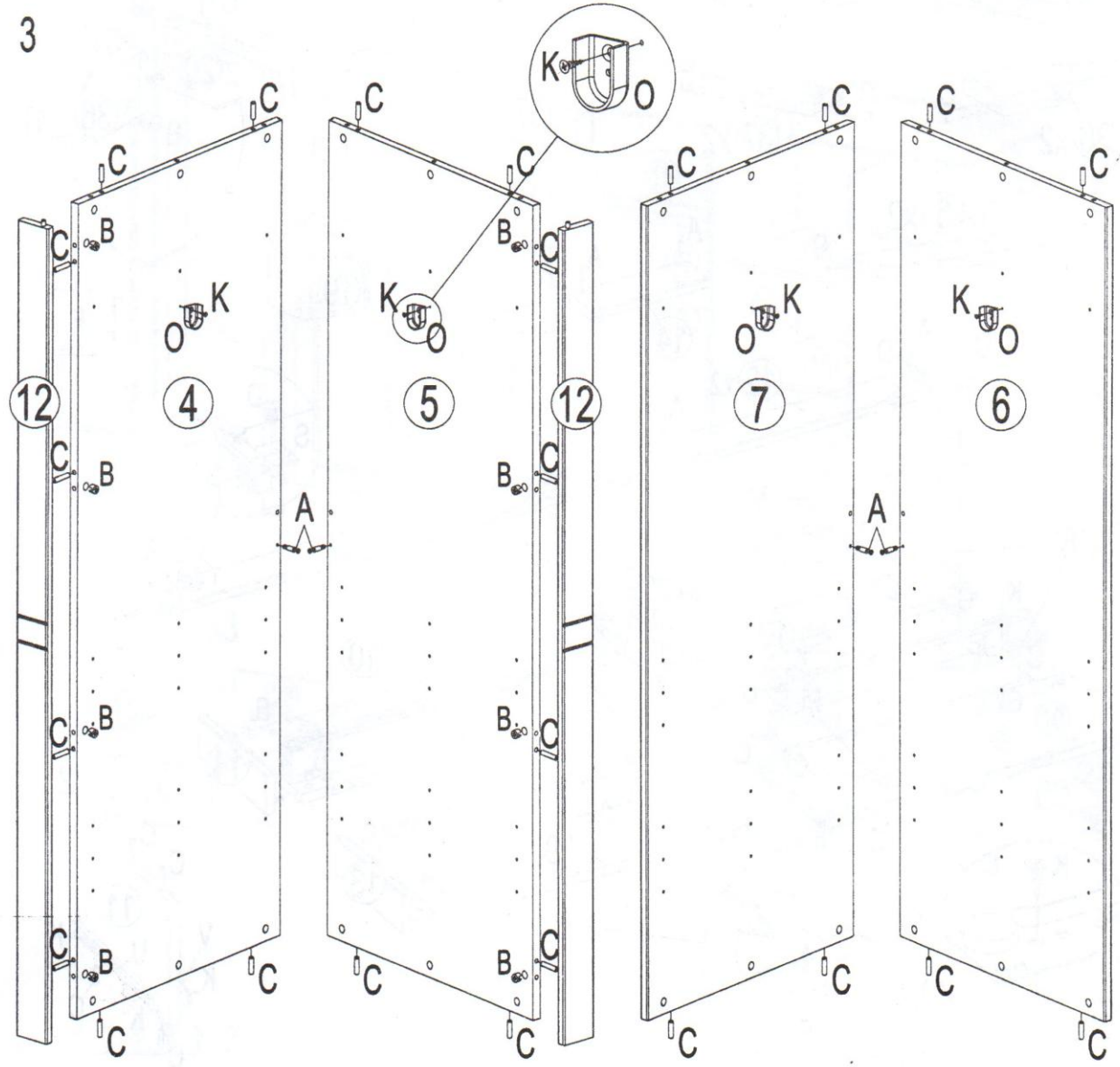
1



2

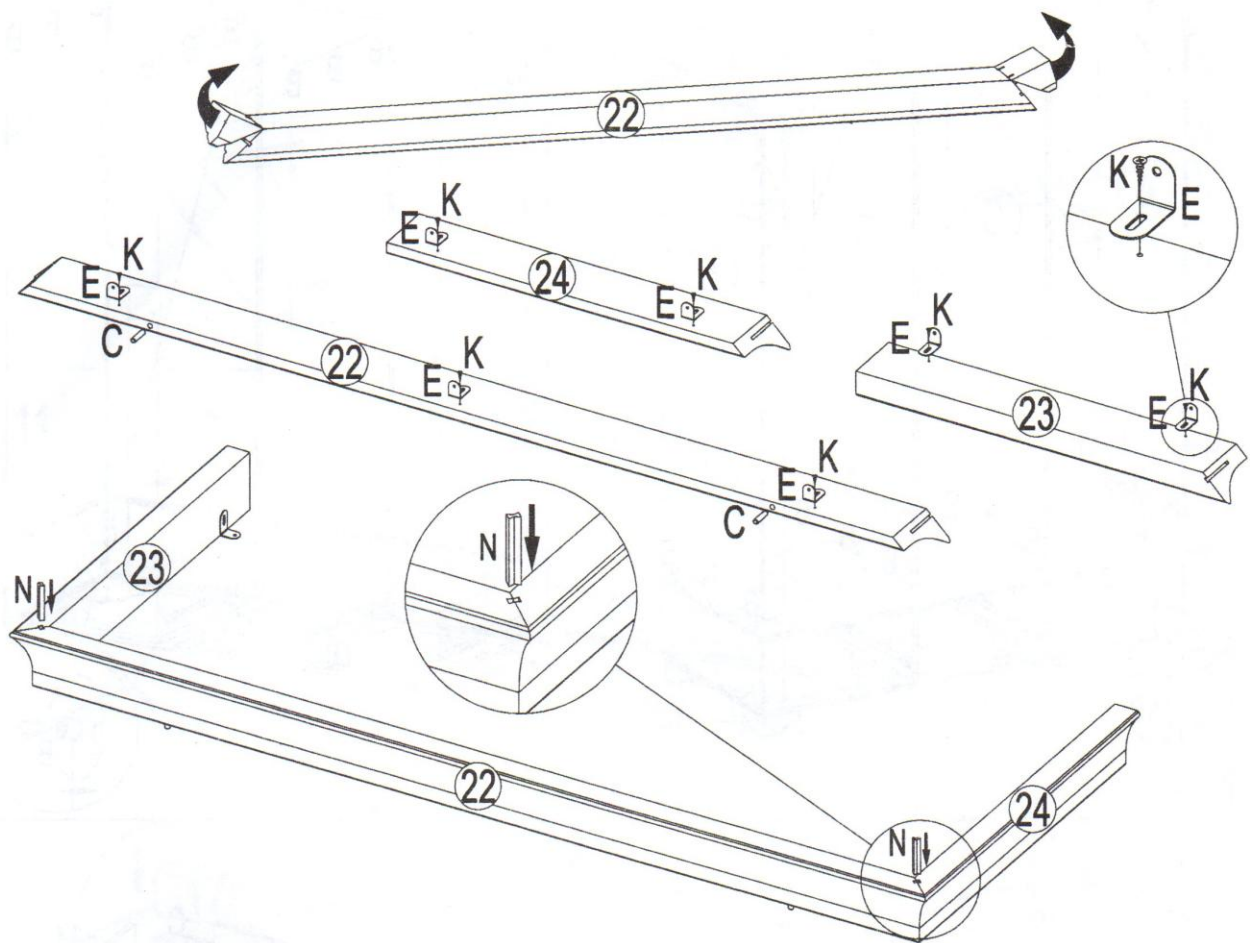


3

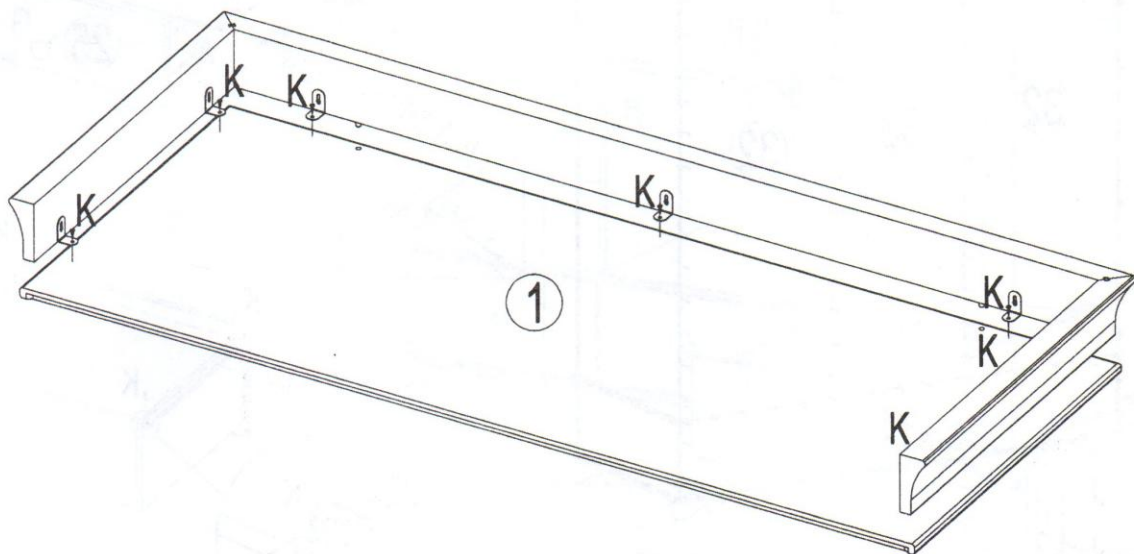


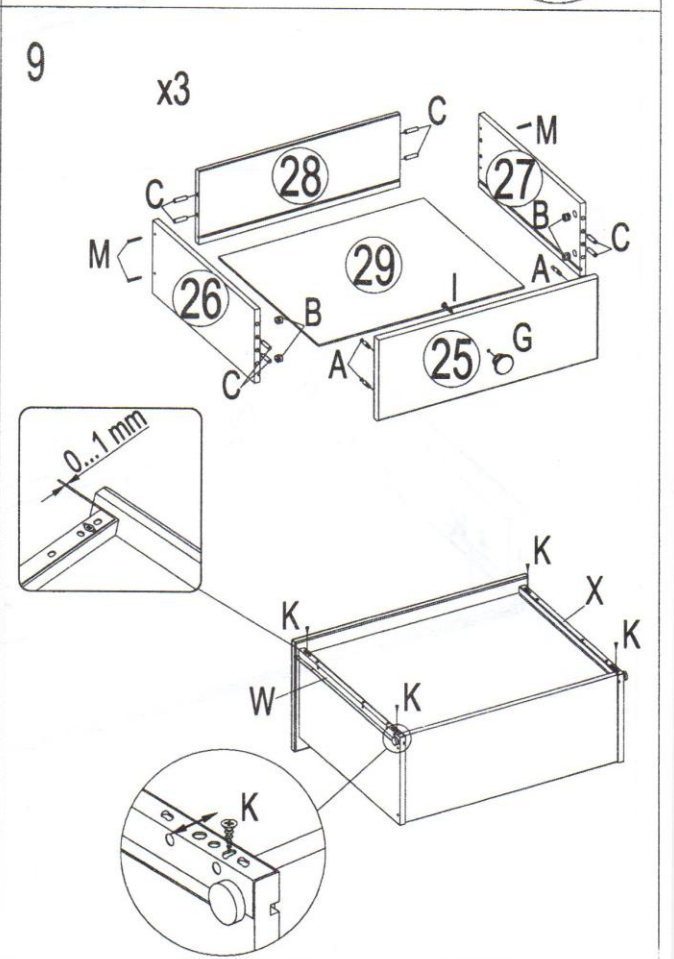
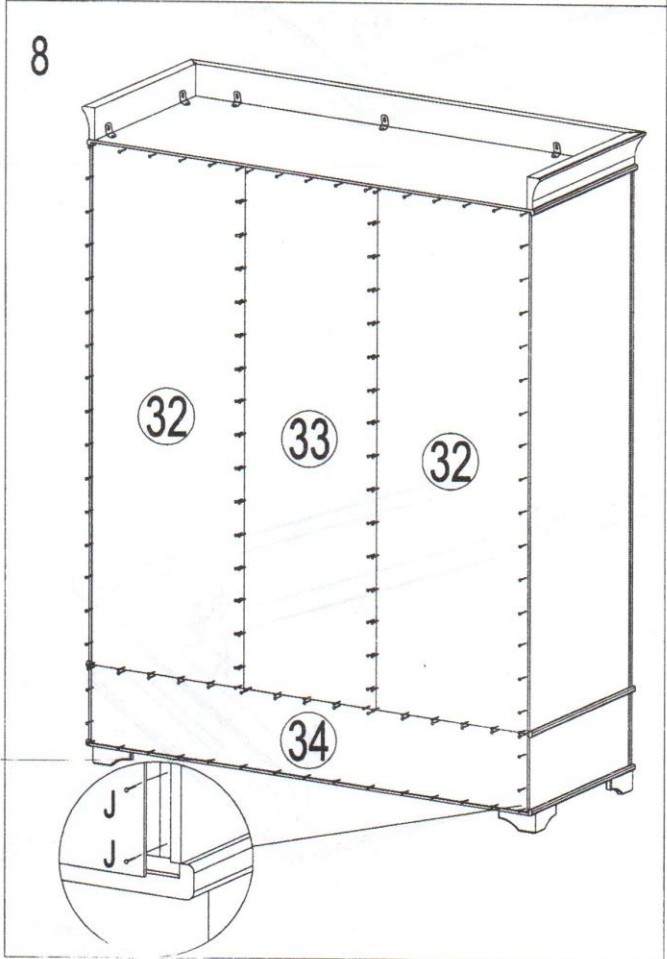
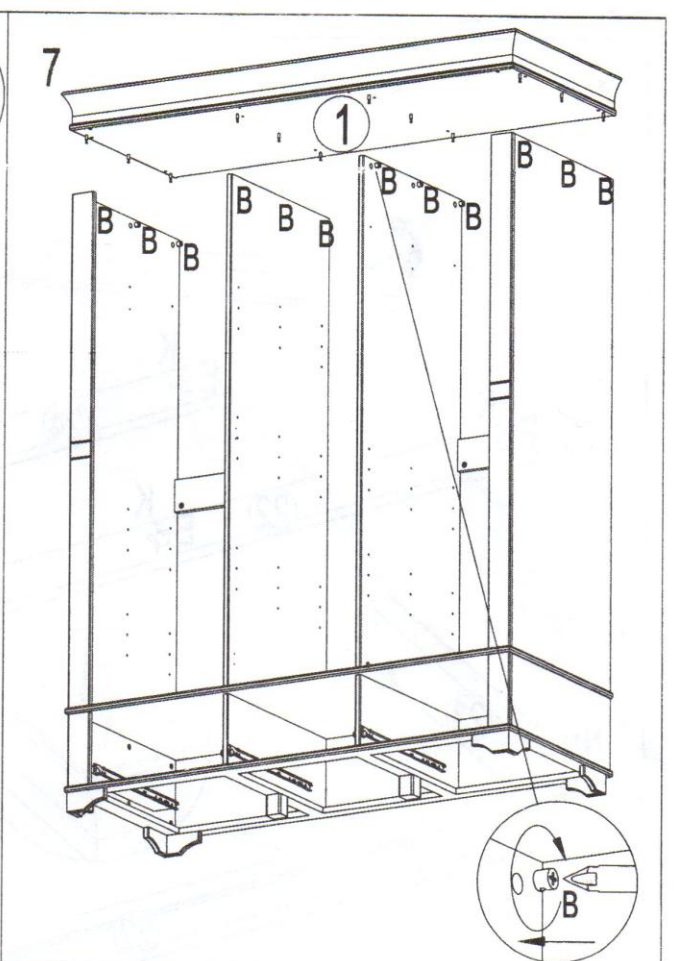
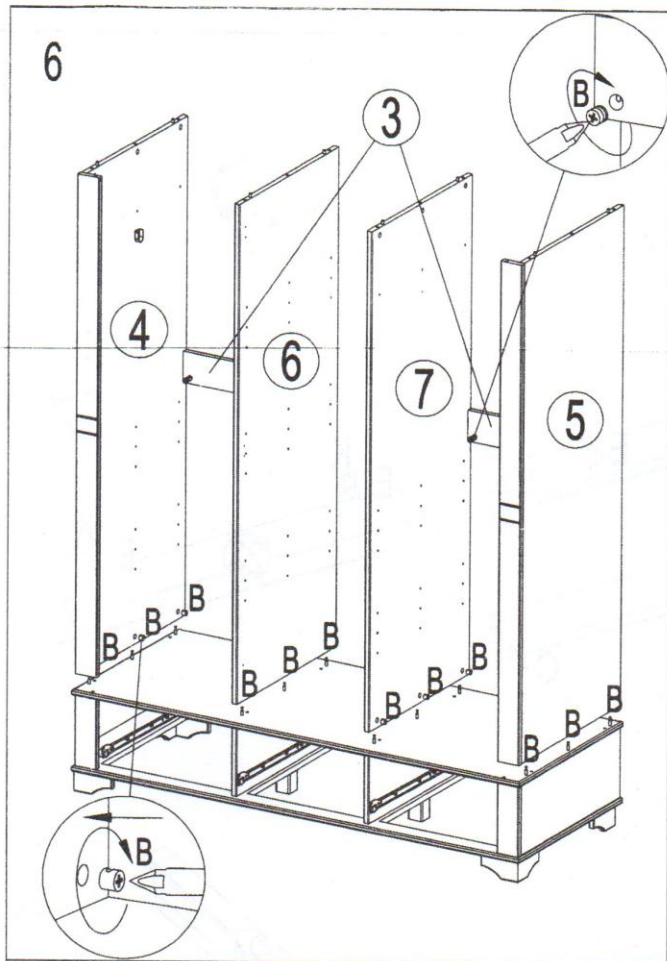


4



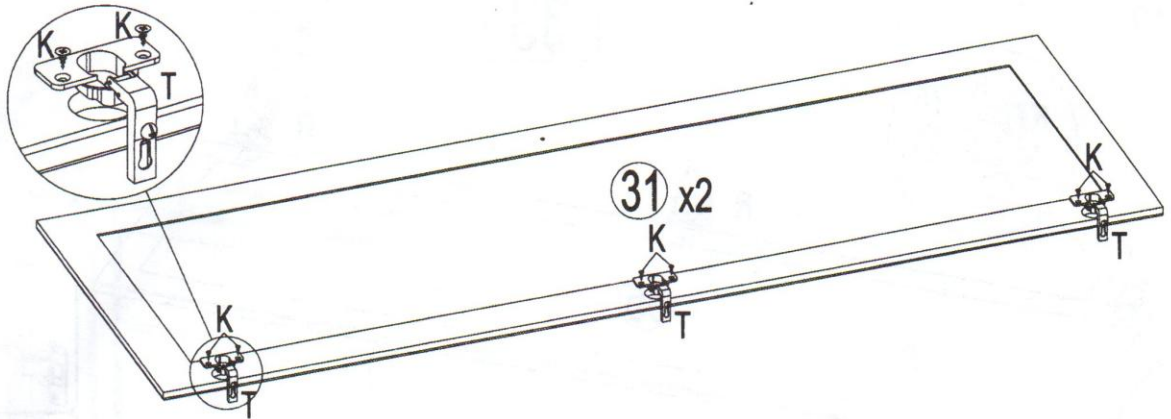
5



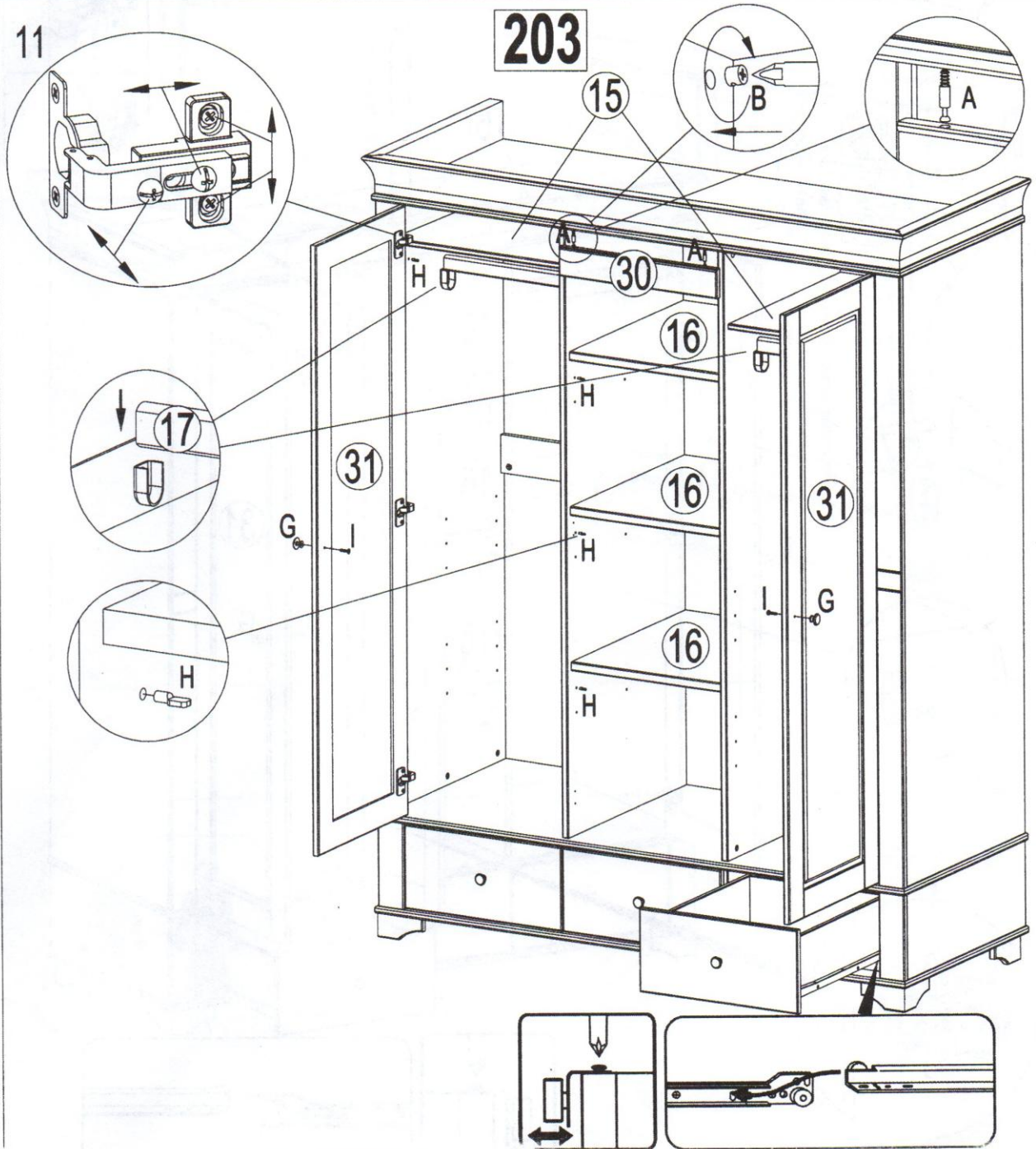




10



11



12

33

